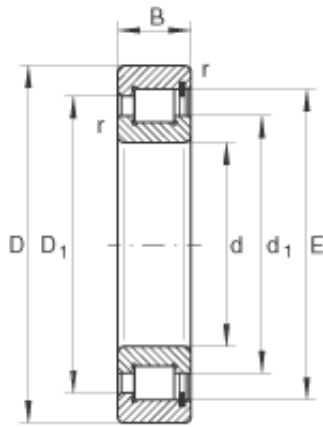




Bearing industries.



380 mm x 560 mm x 135 mm INA SL183076-TB
roulements à rouleaux cylindriques

Bearing No. SL183076-TB

SL183076-TB Bearing 2D drawings and 3D CAD models

Size	380x560x135 mm
Bore Diameter	380 mm
Outer Diameter	560 mm
Width	135 mm
d	380 mm
D	560 mm
B	135 mm
D ₁	499,5 mm
d ₁	431,7 mm
E	521,25 mm
r _{min}	5 mm
s	16 mm / Axial displacement
m	106 kg / Weight
C _r	2600000 N / Dynamic load rating (radial)
C _{0r}	4450000 N / Static load rating (radial)
C _{ur}	425000 N / Fatigue limit load, radial
n _G	660 1/min / Limiting speed
Category	Bearings
Inventory	0.0
Manufacturer Name	SCHAEFFLER GROUP
Minimum Buy Quantity	N/A
Weight / Kilogram	106
Product Group	B04144



Bearing industries.